

WHO WANTS TO BE A NUMBER

MILLIONAIRE

Numeracy Challenge

Teacher Resource Manual 2

Published in 2009 by
Junior Certificate School Programme Support Service
Curriculum Development Unit
Captain's Road
Crumlin
Dublin 12
Phone: 01 453 5487
Fax: 01 453 7659
Email: jcsp@iol.ie

Copyright © Junior Certificate School Programme Support Service 2009

The Junior Certificate School Programme Support Service is funded by the Teacher Education Section, Department of Education and Science and the European Social Fund.

The Junior Certificate School Programme Literacy and Numeracy Strategy and the Demonstration Library Project are funded by the Early Literacy Initiative and the Delivering Equality of Opportunity in Schools (DEIS) Action Plan within the Teacher Education Section of the Department of Education and Science.

The Junior Certificate School Programme is a national programme sponsored by the Department of Education and Science and the National Council for Curriculum and Assessment.

The Support Service for the Junior Certificate School Programme is based in the CDVEC Curriculum Development Unit
Captain's Road
Crumlin
Dublin 12

Written by Jerry McCarthy

Edited by Mary Clare Higgins and Hilary Cantwell



Some Quiz Questions

(with correct answers indicated)

“Gateway” Questions

1. Which number will not divide equally by 5 (with no remainder)?

15 25 12 30

2. Which number will not divide equally by 4 (with no remainder)?

15 16 12 40

3. Which number will not divide equally by 3 (with no remainder)?

15 24 12 40

4. Which number will not divide equally by 6 (with no remainder)?

12 6 18 40

5. Which number will not divide equally by 7 (with no remainder)?

14 21 12 28

6. Which number will not divide equally by 10 (with no remainder)?

10 20 12 40

7. Which number will not divide equally by 5 (with no remainder)?

25 65 12 40

8. Which number will not divide equally by 5 (with no remainder)

55 25 17 20

9. What is $\frac{1}{2}$ of 24? = 12

10. What is $\frac{1}{2}$ of 14? = 7

11. What is $\frac{1}{2}$ of 20? = 10

12. What is $\frac{1}{2}$ of 22? = 11

13. What is $\frac{1}{2}$ of 18? = 9
14. What is $\frac{1}{2}$ of 16? = 8
15. What is $\frac{1}{2}$ of 26? = 13
16. What is $\frac{1}{2}$ of 30? = 15
17. What is $\frac{1}{2}$ of 28? = 14
18. What is $\frac{1}{2}$ of 32? = 16
19. How many sides in a triangle? = three
20. How many sides in a square? = four
21. How many sides in a rectangle? = four
22. How many sides in a parallelogram? = four
23. How many even numbers are there between 1 and 9?
= 4
24. How many odd numbers are there between 1 and 9?
= 5
25. Doubling a number is the same as multiplying it by
which Number? = 2
26. Halving a number is the same as dividing it by
which number? = 2
27. Squaring a number is the same as multiplying it
by...? = itself
28. What is the largest whole number you can make
from these digits:
1 5 4 = 541
29. What is the smallest whole number you can make
from these digits:
6 8 4 = 468
30. Double 23 gives: 46

31. Double 43 gives: 86
32. Double 54 gives: 108
33. Double 27 gives: 54
34. Twice 36 is: 72
35. Twice 45 is: 90
36. Twice 43 is: 86
37. Twice 37 is: 74
38. Twice 39 is: 78
39. Twice 48 is: 96
40. Twice 120 is: 240
41. Twice 144 is: 288
42. Half of 56 is: 28
43. Half of 68 is: 34
44. Half of 76 is: 38
45. Half of 84 is: 42
46. Half of 96 is: 48
47. 22 less than 56 is: 34
48. 28 less than 56 is: 28
49. 25 less than 76 is: 51
50. 22 less than 78 is: 56
51. 22 less than 86 is: 64

52. 27 more than 56 is: 83
53. 34 more than 63 is: 97
54. 27 more than 59 is: 86
55. 19 more than 86 is: 105
56. 28 more than 66 is: 94
57. What is the total of: 8, 19 and 7 ? = 34
58. What is the total of: 18, 9 and 5 ? = 32
59. What is the total of: 28, 17 and 6 ? = 51
60. What is the total of: 19, 15 and 9 ? = 43
61. What is the total of: 23, 13 and 8 ? = 44
62. 233 minus 12 gives: 221
63. 244 minus 16 gives: 228
64. 255 minus 22 gives: 233
65. 263 minus 17 gives: 246
66. 272 minus 19 gives: 253
67. 334 minus 15 gives: 319
68. 278 minus 18 gives: 260
69. 214 take away 67 gives: 147
70. 324 take away 56 gives: 268
71. 414 take away 43 gives: 371
72. 292 take away 26 gives: 266
73. 543 take away 27 gives: 516

74. 866 take away 76 gives: 790
75. 437 take away 26 gives: 411
76. 278 take away 77 gives: 201
77. 214 take away 56 gives: 158
78. 417 take away 26 gives: 391
79. 567 take away 44 gives: 523
80. 458 take away 33 gives: 425
81. 815 take away 19 gives: 796
82. 419 take away 45 gives: 374
83. 325 take away 32 gives: 293
84. What number must be added to 37 to make 75? 38
85. What number must be added to 47 to make 78? 31
86. What number must be added to 38 to make 79? 41
87. What number must be added to 27 to make 75? 48
88. What number must be added to 17 to make 76? 59
89. What number must be added to 34 to make 65? 31
90. What number must be added to 27 to make 66? 39
91. What number must be added to 33 to make 57? 24
92. What number must be added to 35 to make 95? 60
93. What number must be added to 31 to make 96? 65
94. What number must be added to 33 to make 78? 45

95. A film begins at 7:15 p.m. and lasts for one hour and thirty minutes. What time does the film end? 8:45pm
96. A train leaves Cork (Kent station) at 7:30 a.m. and takes two hours and forty-five minutes to reach Dublin. What time does the train arrive in Dublin (Heuston)? 10:15am
97. A pop concert begins at 10:15 p.m. and lasts for two hours and thirty-five minutes. What time does the concert end? 12:50pm
98. How many degrees are there in a right angle? 90
99. If the length of the diameter of a circle is 12cm, what is the length of its radius? 6 cm
100. What fraction of a circle is a semi-circle? 1/2
101. How many right angles are there in a square? 4

Category 1:

500 Point Questions
1000 Point Questions

1. "Seven thousand, one hundred and forty-five" in figures is:
(A) 7451 (B) 7154 (C) 7145 (D) 7155 ✓
2. "Six thousand, three hundred and seventy-five" in figures is:
(A) 6357 (B) 6753 (C) 6573 (D) 6375 ✓
3. "Nine thousand, eight hundred and forty-nine" in figures is:
(A) 9849 (B) 9894 (C) 8949 (D) 9489 ✓
4. "Ten thousand, six hundred and seventy-eight" in figures is:
(A) 10, 668 (B) 10, 768 (C) 10,678 (D) 10, 786 ✓
5. "Eight thousand, four hundred and seventy-five" in figures is:
(A) 8448 (B) 8457 (C) 8748 (D) 8475
6. What is the figure 3 worth in the number 9836?
(A) Three hundreds (B) Three tens (C) Three units
(D) Three thousands
7. What is the figure 8 worth in the number 9836?
(A) Eight hundreds (B) Eight tens (C) Eight units
(D) Eight thousands
8. What is the figure 6 worth in the number 9836?
(A) Six hundreds (B) Six tens (C) Six units
(D) Six thousands
9. What is the figure 9 worth in the number 9836?
(A) Nine hundreds (B) Nine tens (C) Nine units
(D) Nine thousands

10. What is the figure 4 worth in the number 34217?
(A) Four hundreds (B) Four tens (C) Four units
(D) Four thousands
11. What is the figure 1 worth in the number 34217?
(A) One hundred (B) One ten (C) One unit
(D) One thousand
12. What is the figure 7 worth in the number 34217?
(A) Seven hundreds (B) Seven tens (C) Seven units
(D) Seven thousands
13. What is 7 more than 345?
(A) 362 (B) 355 (C) 352 (D) 372
14. What is 8 more than 235?
(A) 253 (B) 255 (C) 234 (D) 243
15. What is 7 more than 555?
(A) 562 (B) 572 (C) 682 (D) 526
16. What is 8 less than 267?
(A) 258 (B) 259 (C) 269 (D) 248
17. What is 5 more than 342?
(A) 349 (B) 348 (C) 347 (D) 357
18. What is 9 less than 295?
(A) 286 (B) 276 (C) 266 (D) 289
19. What is 8 more than 435?
(A) 454 (B) 453 (C) 443 (D) 452
20. What is 7 less than 253?
A) 236 (B) 244 (C) 245 (D) 246 ✓
21. What is 6 more than 365?
(A) 373 (B) 371 (C) 372 (D) 374 ✓

22. What is 9 less than 322?
(A) 311 (B) 315 (C) 314 (D) 313 ✓
23. Which is shortest?
(A) 12 metres (B) 12 centimetres (C) 12 millimetres
(D) 12 kilometres ✓
24. Which is longest?
(A) 15 metres (B) 15 centimetres (C) 15 millimetres
(D) 15 kilometres
25. Which is heaviest?
(A) 12 grams (B) 12 centigrams (C) 12 milligrams
(D) 12 kilograms
26. Which is lightest?
(A) 11 grams (B) 11 centigrams (C) 11 milligrams
(D) 11 kilograms
27. How many €1 coins are there in €20?
(A) 40 (B) 20 (C) 10 (D) 60
28. How many €1 coins are there in €50?
(A) 10 (B) 20 (C) 30 (D) 50
29. How many 10 cent coins are there in €5?
(A) 100 (B) 50 (C) 500 (D) 150
30. How many 10 cent coins are there in €10?
(A) 1000 (B) 50 (C) 100 (D) 200 ✓
31. How many 5 cent coins are there in €5?
(A) 500 (B) 200 (C) 150 (D) 100 ✓
32. How many 5 cent coins are there in €10?
(A) 200 (B) 2000 (C) 100 (D) 150 ✓
33. How many €5 notes are there in €100?
(A) 20 (B) 40 (C) 50 (D) 60 ✓

34. How many €5 notes are there in €500?
(A) 1000 (B) 50 (C) 100 (D) 150
35. How many €5 notes are there in €200?
(A) 50 (B) 45 (C) 40 (D) 60
36. How many €5 notes are there in €300?
(A) 40 (B) 20 (C) 50 (D) 60
37. How many €5 notes are there in €400?
(A) 70 (B) 80 (C) 60 (D) 100
38. How many €5 notes are there in €600?
(A) 150 (B) 120 (C) 100 (D) 140
39. What is $44 + 7$?
(A) 55 (B) 53 (C) 51 (D) 52
40. What is $54 + 9$?
(A) 65 (B) 64 (C) 63 (D) 62
41. What is $74 + 9$?
(A) 85 (B) 84 (C) 83 (D) 86
42. What is $48 + 9$?
(A) 55 (B) 58 (C) 56 (D) 57
43. What is $94 + 9$?
(A) 113 (B) 102 (C) 103 (D) 104
44. What is $66 + 9$?
(A) 85 (B) 76 (C) 75 (D) 77 ✓
45. What is $93 + 9$?
(A) 102 (B) 103 (C) 104 (D) 105 ✓
46. What is $99 + 8$?
(A) 106 (B) 107 (C) 108 (D) 105 ✓
47. What is $97 + 9$?
(A) 109 (B) 116 (C) 106 (D) 107 ✓

48. What is $96 + 9$?
(A) 106 (B) 107 (C) 105 (D) 117
49. What is $93 + 9$?
(A) 101 (B) 102 (C) 104 (D) 105
50. What is $96 + 5$?
(A) 102 (B) 104 (C) 101 (D) 103
51. What is $96 + 8$?
(A) 104 (B) 103 (C) 105 (D) 106
52. What is $98 + 9$?
(A) 106 (B) 107 (C) 104 (D) 105
53. What is $92 + 9$?
(A) 101 (B) 102 (C) 111 (D) 103
54. What is $96 - 9$?
(A) 67 (B) 77 (C) 87 (D) 86
55. What is $66 - 9$?
(A) 57 (B) 55 (C) 47 (D) 56
56. What is $92 - 9$?
(A) 83 (B) 73 (C) 84 (D) 85
57. What is $56 - 9$?
(A) 46 (B) 37 (C) 47 (D) 45
58. What is $55 - 9$?
(A) 47 (B) 36 (C) 46 (D) 45
59. What is $38 - 9$?
(A) 29 (B) 19 (C) 28 (D) 27
60. What is $76 - 9$?
(A) 66 (B) 57 (C) 67 (D) 65
61. What is $77 - 8$?
(A) 68 (B) 59 (C) 67 (D) 69

62. What is $67 - 8$?
(A) 59 (B) 58 (C) 49 (D) 57
63. What is $72 - 8$?
(A) 63 (B) 64 (C) 65 (D) 54
64. What is $52 - 7$?
(A) 45 (B) 46 (C) 35 (D) 44
65. What is $72 - 5$?
(A) 66 (B) 67 (C) 57 (D) 63
66. What is $42 - 8$?
(A) 26 (B) 34 (C) 24 (D) 25
67. What is $44 - 6$?
(A) 26 (B) 38 (C) 28 (D) 29
68. What is $94 - 9$?
(A) 86 (B) 75 (C) 85 (D) 87
69. $4/6$ is equal to $2/$?
(A) 4 (B) 3 (C) 2 (D) 6 ✓
70. $8/6$ is equal to $4/$?
(A) 6 (B) 4 (C) 3 (D) 5 ✓
71. $4/8$ is equal to $2/$?
(A) 8 (B) 5 (C) 3 (D) 4 ✓
72. $4/10$ is equal to $2/$?
(A) 6 (B) 4 (C) 10 (D) 5 ✓
73. $8/16$ is equal to $2/$?
(A) 5 (B) 8 (C) 4 (D) 16
74. $6/8$ is equal to $3/$?
(A) 4 (B) 8 (C) 6 (D) 12
75. $9/12$ is equal to $3/$?
(A) 9 (B) 4 (C) 6 (D) 12

76. $12/16$ is equal to $3/ ?$
(A) 12 (B) 16 (C) 4 (D) 8
77. $1/2$ is the same as:
(A) 50% (B) 20% (C) 30% (D) 40%
78. $1/4$ is the same as:
(A) 20% (B) 25% (C) 40% (D) 5%
79. $1/5$ is the same as:
(A) 60% (B) 40% (C) 20% (D) 30%
80. $1/10$ is the same as:
(A) 30% (B) 20% (C) 40% (D) 10%
81. $1/8$ is the same as:
(A) 16% (B) 9% (C) $12\frac{1}{2}\%$ (D) 24%
82. What is 23×10 ?
(A) 330 (B) 2300 (C) 230 (D) 300
83. What is 73×10 ?
(A) 730 (B) 370 (C) 7700 (D) 7303
84. What is 86×10 ?
(A) 870 (B) 86 (C) 8600 (D) 860
85. What is 78×10 ?
(A) 78000 (B) 770 (C) 7800 (D) 780
86. What is 29×10 ?
(A) 2900 (B) 290 (C) 29 (D) 29000
87. What is 13×100 ?
(A) 130 (B) 13000 (C) 1300 (D) 2300
88. What is 93×100 ?
(A) 3900 (B) 930 (C) 93000 (D) 9300
89. What is 98×100 ?
(A) 8900 (B) 98000 (C) 9800 (D) 9900

90. What is 65×100 ?
(A) 5600 (B) 650 (C) 6500 (D) 65000
91. What is 58×100 ?
(A) 580 (B) 5800 (C) 58000 (D) 8500
92. What is 83×1000 ?
(A) 83000 (B) 38000 (C) 8300 (D) 830000
93. What is 96×1000 ?
(A) 9600 (B) 96000 (C) 960 (D) 69000
94. What is 92×1000 ?
(A) 92000 (B) 92000 (C) 9200 (D) 920
95. What is 15×1000 ?
(A) 150000 (B) 1500 (C) 15000 (D) 150
96. What is 68×1000 ?
(A) 68000 (B) 6800 (C) 680 (D) 86000
97. Which number will divide equally by 2 (with no remainder)?
(A) 26 (B) 33 (C) 37 (D) 75
98. Which number will divide equally by 4 (with no remainder)?
(A) 42 (B) 56 (C) 34 (D) 35
99. Which number will divide equally by 3 (with no remainder)?
(A) 35 (B) 36 (C) 37 (D) 31 ✓
100. Which number will divide equally by 7 (with no remainder)?
(A) 37 (B) 27 (C) 28 (D) 29 ✓
101. Which number will divide equally by 9 (with no remainder)?
(A) 47 (B) 19 (C) 28 (D) 36

✓

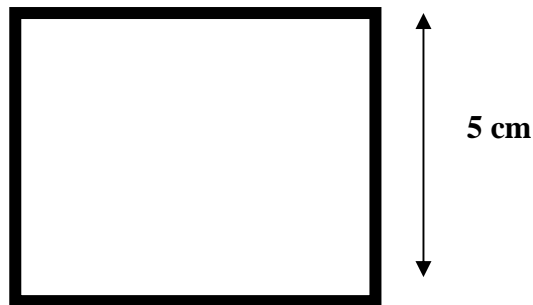
102. Which number will divide equally by 8 (with no remainder)?
(A) 49 (B) 35 (C) 64 (D) 28 ✓
103. What is $\frac{1}{2}$ of 44?
(A) 88 (B) 24 (C) 23 (D) 22
104. What is $\frac{1}{2}$ of 34?
(A) 12 (B) 64 (C) 17 (D) 18
105. What is $\frac{1}{2}$ of 36?
(A) 16 (B) 72 (C) 17 (D) 18
106. What is $\frac{1}{2}$ of 38?
(A) 17 (B) 76 (C) 19 (D) 18
107. What is $\frac{1}{2}$ of 42?
(A) 84 (B) 21 (C) 31 (D) 22
108. What is $\frac{1}{2}$ of 48?
(A) 25 (B) 23 (C) 24 (D) 27
109. What is $\frac{1}{2}$ of 64?
(A) 33 (B) 128 (C) 32 (D) 34
110. How many even numbers are there between 3 and 19?
(A) 8 (B) 7 (C) 9 (D) 10
111. How many odd numbers are there between 2 and 22?
(A) 8 (B) 10 (C) 11 (D) 12
112. What is $44 + 9$?
(A) 47 (B) 44 (C) 37 (D) 53
113. What is $444 + 99$?
(A) 544 (B) 543 (C) 545 (D) 563
114. What is 7×8 ?
(A) 64 (B) 49 (C) 56 (D) 63
115. What is $24 - 13$?
(A) 13 (B) 10 (C) 12 (D) 11

116. What is $24 \div 6$?
 (A) 5 (B) 4 (C) 6 (D) 7
117. If a prize of €250 is divided equally between 5 winners how much does each winner get?
 (A) €50 (B) €60 (C) €55 (D) €40
118. Which is biggest?
 (A) $\frac{2}{3}$ (B) $\frac{1}{5}$ (C) $\frac{5}{6}$ (D) $\frac{2}{2}$
119. Pat scored 150 out of 300 in a test. What % is that?
 (A) 30% (B) 50% (C) 60% (D) 60%
120. What number is halfway between 30 and 42?
 (A) 36 (B) 35 (C) 37 (D) 34
121. $(15 + 5) \times 2 =$
 (A) 25 (B) 22 (C) 40 (D) 85
122. How many tens in 120?
 (A) 12 (B) 13 (C) 24 (D) 10
123. What is $\frac{4}{6}$ in its simplest form?
 (A) $\frac{2}{3}$ (B) $\frac{2}{6}$ (C) $\frac{6}{4}$ (D) 1
124. 1, 3, 6, 10, What number comes next?
 (A) 14 (B) 15 (C) 16 (D) 13
125. $\frac{60}{100} + \frac{4}{10} =$
 (A) $\frac{1}{10}$ or $\frac{100}{100}$ (B) $\frac{64}{110}$
 (C) $\frac{64}{100}$ (D) $\frac{64}{10}$
126. A film begins at 7:25 p.m. and lasts for one hour and thirty minutes. What time does the film end?
 (A) 7:55 (B) 8:55 (C) 8:45 (D) 9:00
127. A train leaves Cork (Kent station) at 7:10 a.m. and takes two hours and forty-five minutes to reach Dublin. What time does the train arrive in Dublin (Heuston)?
 (A) 9:30 (B) 10:00 (C) 9:55 (D) 9:45

128. A pop concert begins at 10:55 p.m. and lasts for two hours and thirty-five minutes. What time does the concert end?
(A) 13:40 (B) 13:30 (C) 12:30 (D) 11:40

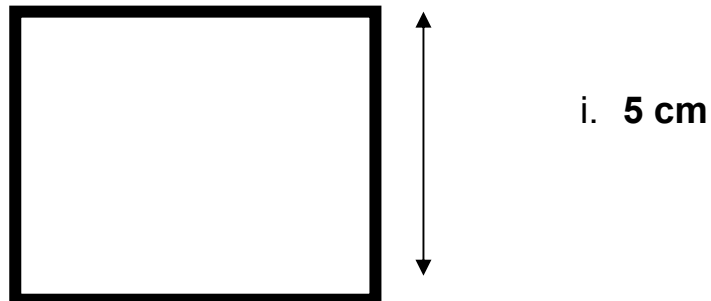
129. What is the average of 17, 18, 19?
(A) 19 (B) 18 (C) 17 (D) 54

130. What is the length of the perimeter of this square?



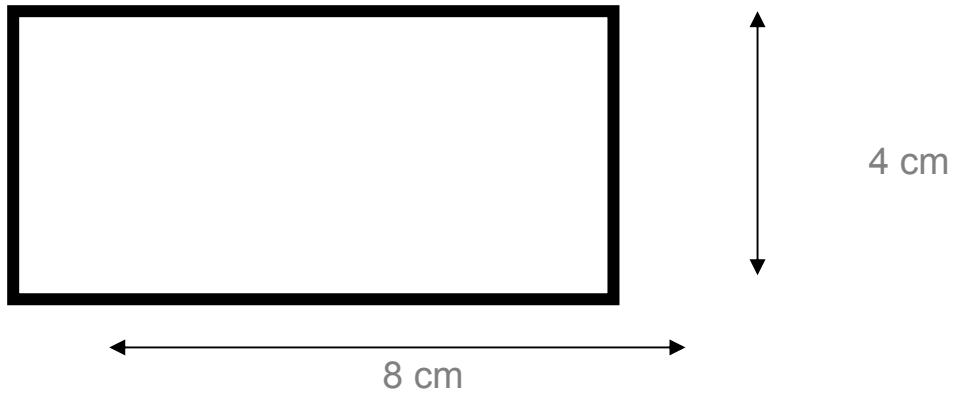
- (A) 10 cm (B) 20 cm (C) 15cm (D) 25 cm

131. What is the area of this square?



- (A) 25 cm² (B) 20 cm² (C) 35 cm² (D) 15 cm²

132. What is the length of the perimeter of this rectangle?



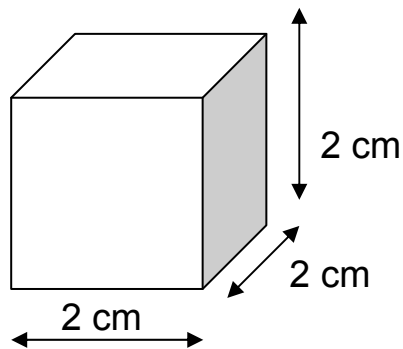
- (A) 24 cm (B) 20 cm (C) 16 cm (D) 28 cm

133. What is the area of this rectangle?



- (A) 18 cm² (B) 40 cm² (C) 26 cm² (D) 23 cm²

134. What is the volume of this cube?



- (A) 6 cm³ (B) 8 cm³ (C) 10 cm³ (D) 4 cm³

Category 2:

2,000 Point Questions
5,000 Point Questions
10,000 Point Questions
20,000 Point Questions
50,000 Point Questions

1. What is $44 + 26$?
(A) 60 (B) 70 (C) 80 (D) 80
2. What is $54 + 36$?
(A) 80 (B) 70 (C) 90 (D) 60
3. What is $42 + 26$?
(A) 58 (B) 78 (C) 64 (D) 68
4. What is $43 + 27$?
(A) 60 (B) 70 (C) 80 (D) 90
5. What is $83 + 17$?
(A) 90 (B) 100 (C) 110 (D) 99
6. What is $88 + 27$?
(A) 115 (B) 125 (C) 105 (D) 145
7. What is $43 + 67$?
(A) 110 (B) 120 (C) 130 (D) 90
8. What is $53 + 28$?
(A) 71 (B) 101 (C) 81 (D) 91
9. What is $73 + 17$?
(A) 91 (B) 100 (C) 90 (D) 80
10. What is $93 + 27$?
(A) 120 (B) 110 (C) 130 (D) 100
11. What is $48 + 24$?
(A) 62 (B) 72 (C) 82 (D) 92
12. What is $49 + 27$?
(A) 76 (B) 86 (C) 96 (D) 66 ✓

13. What is $42 + 64$?
(A) 126 (B) 96 (C) 106 (D) 116 ✓
14. What is $88 + 24$?
(A) 102 (B) 92 (C) 122 (D) 112 ✓
15. What is $47 + 26$?
(A) 73 (B) 83 (C) 93 (D) 63 ✓
16. What is $82 + 64$?
(A) 156 (B) 146 (C) 136 (D) 126
17. What is $49 + 33$?
(A) 92 (B) 82 (C) 72 (D) 102
18. What is $98 + 44$?
(A) 132 (B) 142 (C) 122 (D) 152
19. What is $77 + 66$?
(A) 123 (B) 153 (C) 133 (D) 143
20. What is $95 + 57$?
(A) 152 (B) 162 (C) 142 (D) 132
21. What is $49 + 66$?
(A) 125 (B) 115 (C) 95 (D) 135
22. What is $68 - 24$?
(A) 44 (B) 34 (C) 54 (D) 64
23. What is $97 - 26$?
(A) 51 (B) 61 (C) 81 (D) 71
24. What is $73 - 27$?
(A) 46 (B) 56 (C) 66 (D) 36
25. What is $63 - 17$?
(A) 46 (B) 56 (C) 36 (D) 66
26. What is $48 - 27$?
(A) 12 (B) 31 (C) 11 (D) 21 ✓

27. What is $93 - 67$?
(A) 37 (B) 24 (C) 27 (D) 26 ✓
28. What is $63 - 28$?
(A) 36 (B) 35 (C) 34 (D) 45 ✓
29. What is $53 - 17$?
(A) 36 (B) 35 (C) 46 (D) 34 ✓
30. What is $73 - 27$?
(A) 47 (B) 45 (C) 46 (D) 56
31. What is $88 - 24$?
(A) 74 (B) 54 (C) 63 (D) 64
32. What is $79 - 27$?
(A) 42 (B) 52 (C) 62 (D) 72
33. What is $82 - 64$?
(A) 22 (B) 18 (C) 28 (D) 19
34. What is $88 - 24$?
(A) 64 (B) 74 (C) 54 (D) 44
35. What is $47 - 26$?
(A) 29 (B) 11 (C) 21 (D) 31
36. What is $82 - 54$?
(A) 32 (B) 18 (C) 38 (D) 28
37. What is $79 - 33$?
(A) 46 (B) 36 (C) 56 (D) 34 ✓
38. What is $88 - 44$?
(A) 24 (B) 44 (C) 34 (D) 54 ✓
39. What is $97 - 66$?
(A) 21 (B) 31 (C) 41 (D) 24 ✓
40. What is $95 - 57$?
(A) 32 (B) 28 (C) 38 (D) 48

41. What is $99 - 66$?
(A) 33 (B) 43 (C) 23 (D) 53
42. Which is the heaviest?
(A) 5·4 kg (B) 54kg (C) 4·5 kg (D) 45 kg ✓
43. Which is the lightest?
(A) 7·4 g (B) 3·7 g (C) 73 g (D) 37 g
44. What is $1300 \div 100$?
(A) 130 (B) 13 (C) 1·3 (D) 1300
45. What is $9300 \div 100$?
(A) 9·3 (B) 930 (C) 93 (D) 9300
46. What is $9800 \div 100$?
(A) 980 (B) 98000 (C) 98 (D) 9·8
47. What is $6500 \div 100$?
(A) 65 (B) 6500 (C) 650 (D) 6·5
48. What is $5800 \div 100$?
(A) 5800 (B) 58 (C) 5·8 (D) 580
49. What is $8300 \div 100$?
(A) 83 (B) 83000 (C) 8·3 (D) 830
50. What is $9600 \div 100$?
(A) 960 (B) 9600 (C) 96 (D) 9·6
51. What is $9200 \div 100$?
(A) 29 (B) 9·2 (C) 92 (D) 290

52. What is $1500 \div 100$?

- (A) 150 (B) 1·5 (C) 15 (D) 51

53. What is $6800 \div 100$?

- (A) 680 (B) 86 (C) 68 (D) 6·8

54. How much does a pack of 10 biros cost when each biro is 25 cents?

- (A) 25000 cents (B) 2500 cents
(C) 250 cents (D) 25 cents

55. How much does a pack of 15 biros cost when each biro is 20 cents?

- (A) 30 cents (B) 3000 cents
(C) 300 cents (D) 30000 cents

56. How much does a pack of 12 biros cost when each biro is 15 cents?

- (A) 170 cents (B) 18000 cents
(C) 180 cents (D) 330 cents

57. How much does a pack of 10 biros cost when each biro is 32 cents?

- (A) 32000 cents (B) 320 cents
(C) 3200 cents (D) 2300 cents



58. How much does a pack of 15 biros cost when each biro is 30 cents?

- (A) 5400 cents (B) 4500 cents
(C) 450 cents (D) 54000 cents

59. What is the missing number: 225, 230,....., 240, 245 ? 

- (A) 236 (B) 255 (C) 235 (D) 237

60. What is the missing number: 220, 226,....., 238, 244 ?

- (A) 235 (B) 234 (C) 230 (D) 232

61. What is the missing number: 20, 40,....., 80, 100 ?
(A) 70 (B) 60 (C) 50 (D) 55
62. What is the missing number: 27,....., 47, 57 ?
(A) 35 (B) 37 (C) 38 (D) 36
63. What is the missing number: 77, 66,....., 44, 33 ?
(A) 54 (B) 55 (C) 50 (D) 56
64. Which number will divide equally by 9 (with no remainder)?
(A) 48 (B) 45 (C) 46 (D) 47 ✓
65. Which number will divide equally by 8 (with no remainder)?
(A) 41 (B) 38 (C) 40 (D) 42
66. Which number will divide equally by 7 (with no remainder)?
(A) 49 (B) 48 (C) 46 (D) 44
67. What is $\frac{1}{3}$ of 24?
(A) 12 (B) 7 (C) 8 (D) 9
68. What is $\frac{1}{3}$ of 27?
(A) 12 (B) 6 (C) 8 (D) 9 ✓
69. What is $\frac{1}{3}$ of 33?
(A) 9 (B) 13 (C) 11 (D) 12
70. What is $\frac{1}{3}$ of 36?
(A) 14 (B) 11 (C) 12 (D) 13
71. What is $\frac{1}{3}$ of 39?
(A) 16 (B) 15 (C) 13 (D) 14
72. What is $\frac{1}{3}$ of 42?
(A) 12 (B) 15 (C) 14 (D) 11
73. How many even numbers are there between 31 and 43?
(A) 5 (B) 6 (C) 7 (D) 8

74. How many odd numbers are there between 22 and 32?
(A) 6 (B) 5 (C) 7 (D) 8
75. $42 = 10 \times 4$ and a remainder of ...
(A) 4 (B) 2 (C) 3 (D) 5
76. $64 = 10 \times 6$ and a remainder of....
(A) 4 (B) 6 (C) 7 (D) 8
77. $72 = 10 \times 7$ and a remainder of...
(A) 2 (B) 3 (C) 4 (D) 5
78. $95 = 10 \times 9$ and a remainder of...
(A) 7 (B) 6 (C) 5 (D) 4
79. $86 = 10 \times 8$ and a remainder of...
(A) 5 (B) 6 (C) 8 (D) 9
80. $92 = 10 \times 9$ and a remainder of...
(A) 2 (B) 3 (C) 4 (D) 5
81. $98 = 10 \times 9$ and a remainder of...
(A) 9 (B) 8 (C) 7 (D) 6
82. $87 = 10 \times 8$ and a remainder of...
(A) 6 (B) 7 (C) 5 (D) 4
83. The match began at 2:00pm. The teams played 45 minutes in each half. The half-time break was 10 minutes. When did the match finish?
(A) 3:50 (B) 3:40
(C) 3:30 (D) 3:20 ✓
84. The match began at 4:00pm. The teams played 40 minutes in each half. The half-time break was 10 minutes. When did the match finish?
(A) 5:30 (B) 5:40
(C) 5:20 (D) 5:50

85. The match began at 3:00pm. The teams played 30 minutes in each half. The half-time break was 10 minutes. When did the match finish?
- (A) 4:30 (B) 4:40
(C) 4:10 (D) 4:20
86. Patricia got up at 8:00am. She left home 20 minutes later. She arrived at school at 8:40am. How long did his journey to school take?
- (A) 20 minutes (B) 40 minutes
(C) 10 minutes (D) 30 minutes ✓
87. Mary got up at 8:00am. She left home 20 minutes later. She arrived at school at 8:45am. How long did his journey to school take?
- (A) 30 minutes (B) 25 minutes
(C) 40 minutes (D) 10 minutes
88. Patricia got up at 8:00am. She left home 10 minutes later. She arrived at school at 8:50am. How long did his journey to school take?
- (A) 40 minutes (B) 30 minutes
(C) 20 minutes (D) 50 minutes
89. Which is the largest fraction?
(A) 1/10 (B) 5/10 (C) 7/10 (D) 10/10 ✓
90. Which is the largest fraction?
(A) 1/7 (B) 6/7 (C) 2/7 (D) 7/7
91. Which is the smallest fraction?
(A) 5/10 (B) 4/10 (C) 7/10 (D) 10/10 ✓
92. Which is the smallest fraction?
(A) 1/7 (B) 4/7 (C) 2/7 (D) 9/7
93. $6/4 + 5/4 =$
(A) $1/4$ (B) $11/4$ (C) $11/8$ (D) $30/16$

94. $\frac{3}{4} + \frac{2}{4} =$
 (A) $\frac{5}{16}$ (B) $\frac{32}{44}$ (C) $\frac{5}{4}$ (D) $\frac{6}{4}$
95. $\frac{7}{4} + \frac{1}{4} =$
 (A) $\frac{8}{4}$ (B) $\frac{6}{4}$ (C) $\frac{71}{44}$ (D) $\frac{8}{8}$
96. $\frac{6}{9} + \frac{5}{9} =$
 (A) $\frac{11}{9}$ (B) $\frac{30}{81}$ (C) $\frac{1}{0}$ (D) $\frac{11}{18}$
97. $\frac{1}{3} + \frac{5}{3} =$
 (A) $\frac{6}{6}$ (B) $\frac{6}{3}$ (C) $\frac{30}{9}$ (D) $\frac{6}{9}$
98. $\frac{6}{4} - \frac{3}{4} =$
 (A) $\frac{18}{16}$ (B) $\frac{3}{8}$ (C) $\frac{3}{4}$ (D) $\frac{3}{0}$
99. $\frac{7}{4} - \frac{1}{4} =$
 (A) $\frac{6}{4}$ (B) $\frac{6}{0}$ (C) $\frac{7}{16}$ (D) $\frac{8}{8}$
100. $\frac{8}{5} - \frac{3}{5} =$
 (A) $\frac{5}{0}$ (B) $\frac{5}{5}$ (C) $\frac{24}{25}$ (D) $\frac{13}{5}$
101. How many halves in 1?
 (A) 2 (B) $\frac{1}{2}$ (C) 4 (D) 6
102. How many halves in 2?
 (A) 2 (B) 4 (C) 8 (D) 16
103. How many halves in 4?
 (A) 8 (B) 10 (C) 2 (D) 16
104. How many thirds in 1?
 (A) $\frac{1}{3}$ (B) 9 (C) 3 (D) 6
105. How many thirds in 2?
 (A) 8 (B) $\frac{2}{3}$ (C) 9 (D) 6
106. How many thirds in 3?
 (A) 3 (B) 6 (C) 9 (D) 12
107. How many quarters in 1?
 (A) $\frac{1}{4}$ (B) 4 (C) 16 (D) 8 ✓

108. How many quarters in 2?
(A) 10 (B) 6 (C) 8 (D) 2/4 ✓
109. How many quarters in 3?
(A) 3/4 (B) 4/3 (C) 9 (D) 12
110. How many fifths in 1?
(A) 6 (B) 5 (C) 1/5 (D) 25 ✓
111. How many fifths in 2?
(A) 2/5 (B) 10 (C) 5/2 (D) 20
112. How many fifths in 3?
(A) 3/5 (B) 15 (C) 5/3 (D) 25 ✓

Category 3:

75,000 Point Questions
150,000 Point Questions
250,000 Point Questions

1. What is $45 + 25 + 1$?
(A) 61 (B) 51 (C) 71 (D) 81
2. What is $52 + 38 + 2$?
(A) 72 (B) 82 (C) 102 (D) 92
3. What is $43 + 27 + 9$?
(A) 69 (B) 79 (C) 89 (D) 99
4. What is $23 + 27 + 8$?
(A) 48 (B) 58 (C) 68 (D) 78
5. What is $73 + 17 + 8$?
(A) 98 (B) 88 (C) 108 (D) 78
6. What is $68 + 22 + 6$?
(A) 96 (B) 106 (C) 86 (D) 76
7. What is $53 + 27 + 7$?
(A) 77 (B) 67 (C) 87 (D) 97 ✓
8. What is $57 + 23 + 5$?
(A) 85 (B) 65 (C) 75 (D) 105
9. What is $33 + 17 + 7$?
(A) 77 (B) 67 (C) 57 (D) 87 ✓
10. What is $83 + 27 + 6$?
(A) 96 (B) 116 (C) 126 (D) 136 ✓
11. What is $58 + 22 + 5$?
(A) 75 (B) 65 (C) 85 (D) 95 ✓
12. What is $29 + 21 + 5$?
(A) 65 (B) 55 (C) 45 (D) 85

13. What is $42 + 68 + 3$?
(A) 113 (B) 114 (C) 115 (D) 116 ✓
14. What is $68 + 22 + 4$?
(A) 84 (B) 94 (C) 104 (D) 114 ✓
15. What is $57 + 23 + 5$?
(A) 75 (B) 65 (C) 85 (D) 55 ✓
16. What is $52 + 68 + 2$?
(A) 122 (B) 112 (C) 92 (D) 123 ✓
17. What is $29 + 31 + 6$?
(A) 56 (B) 46 (C) 66 (D) 76
18. What is $68 + 42 + 9$?
(A) 117 (B) 99 (C) 109 (D) 119
19. What is $67 + 63 + 4$?
(A) 124 (B) 144 (C) 134 (D) 104
20. What is $55 + 55 + 8$?
(A) 118 (B) 98 (C) 108 (D) 128
21. What is $29 + 61 + 9$?
(A) 89 (B) 109 (C) 99 (D) 119
22. What is $622 - 23$?
(A) 499 (B) 599 (C) 699 (D) 399
23. What is $923 - 24$?
(A) 699 (B) 799 (C) 899 (D) 599
24. What is $711 - 12$?
(A) 399 (B) 499 (C) 599 (D) 699
25. What is $624 - 25$?
(A) 599 (B) 699 (C) 499 (D) 399
26. What is $481 - 82$?
(A) 299 (B) 399 (C) 499 (D) 199

27. What is $913 - 14$?
(A) 799 (B) 699 (C) 899 (D) 599
28. What is $623 - 24$?
(A) 499 (B) 599 (C) 399 (D) 699
29. What is $533 - 34$?
(A) 499 (B) 599 (C) 699 (D) 399
30. What is $713 - 14$?
(A) 899 (B) 499 (C) 599 (D) 699
31. What is $838 - 39$?
(A) 699 (B) 799 (C) 599 (D) 499
32. What is $719 - 20$?
(A) 499 (B) 599 (C) 299 (D) 699
33. What is $852 - 53$?
(A) 699 (B) 599 (C) 799 (D) 499
34. What is $828 - 29$?
(A) 699 (B) 599 (C) 799 (D) 499
35. What is $447 - 48$?
(A) 299 (B) 399 (C) 499 (D) 199
36. What is $122 - 23$?
(A) 99 (B) 119 (C) 89 (D) 79
37. What is $229 - 30$?
(A) 189 (B) 199 (C) 179 (D) 169
38. What is $328 - 29$?
(A) 279 (B) 289 (C) 299 (D) 269
39. What is $537 - 38$?
(A) 489 (B) 499 (C) 479 (D) 469
40. What is $215 - 16$?
(A) 199 (B) 189 (C) 179 (D) 159 ✓

41. What is $229 - 30$?
(A) 189 (B) 179 (C) 169 (D) 199 ✓
42. If today is Wednesday the 15th, what date will next Friday be?
(A) 19th (B) 16th (C) 17th (D) 18th ✓
43. If today is Wednesday the 10th, what date was last Monday?
(A) 7th (B) 8th (C) 6th (D) 5th ✓
44. If today is Wednesday the 12th, what date will next Sunday be?
(A) 14th (B) 17th (C) 16th (D) 15th ✓
45. If today is Wednesday the 9th, what date was last Sunday?
(A) 5th (B) 6th (C) 7th (D) 4th
46. If today is Wednesday the 12th, what date will next Wednesday be?
(A) 16th (B) 18th (C) 19th (D) 17th
47. If today is Wednesday the 10th, what date was last Saturday?
(A) 5th (B) 6th (C) 4th (D) 7th
48. $\frac{1}{2}$ is the same as:
(A) $\cdot 6$ (B) $\cdot 5$ (C) $\cdot 12$ (D) $\cdot 25$
49. $\frac{1}{4}$ is the same as:
(A) $\cdot 25$ (B) $\cdot 35$ (C) $\cdot 14$ (D) $\cdot 025$
50. $\frac{1}{5}$ is the same as:
(A) $\cdot 2$ (B) $\cdot 25$ (C) $\cdot 3$ (D) $\cdot 15$
51. $\frac{1}{10}$ is the same as:
(A) $\cdot 1$ (B) $\cdot 01$ (C) $\cdot 20$ (D) $\cdot 25$
52. $\frac{1}{5}$ is the same as:
(A) $\cdot 2$ (B) $\cdot 25$ (C) $\cdot 15$ (D) $\cdot 51$

53. $\frac{1}{8}$ is the same as:
(A) $\cdot 18$ (B) $\cdot 125$ (C) $\cdot 81$ (D) $\cdot 25$
54. $\frac{1}{2}$ is the same as:
(A) 20% (B) 50% (C) 30% (D) 12%
55. $\frac{1}{4}$ is the same as:
(A) 50% (B) 25% (C) 60% (D) 14%
56. $\frac{1}{5}$ is the same as:
(A) 20% (B) 6% (C) 15% (D) 25% ✓
57. $\frac{1}{10}$ is the same as:
(A) 100% (B) 50% (C) 25% (D) 10% ✓
58. $\frac{2}{5}$ is the same as:
(A) 7% (B) 40% (C) 10% (D) 25% ✓
59. $\frac{1}{8}$ is the same as:
(A) 10% (B) 80% (C) 12.5% (D) 18% ✓
60. What is the cost of 10 magazines if 100 cost €80?
(A) €10 (B) €8 (C) €18 (D) €40
61. What is the cost of 5 magazines if 100 cost €40?
(A) €4 (B) €2 (C) €6 (D) €8
62. What is the cost of 5 magazines if 100 cost €120?
(A) €4 (B) €6 (C) €2 (D) €8
63. What is the cost of 12 magazines if 36 cost €90?
(A) €20 (B) €30 (C) €15 (D) €45 ✓
64. What is the cost of 6 magazines if 18 cost €60?
(A) €30 (B) €35 (C) €25 (D) €20 ✓
65. Round 542 to the nearest 10
(A) 540 (B) 530 (C) 520 (D) 550
66. Round 654 to the nearest 10
(A) 650 (B) 660 (C) 670 (D) 640

67. Round 562 to the nearest 10
(A) 570 (B) 560 (C) 550 (D) 540
68. Round 762 to the nearest 10
(A) 760 (B) 770 (C) 780 (D) 750
69. Round 943 to the nearest 10
(A) 940 (B) 950 (C) 960 (D) 930
70. Round 1:45pm to the nearest hour
(A) 3:00pm (B) 2:00pm
(C) 4:00pm (D) 2:30pm
71. Round 1:35pm to the nearest hour
(A) 2:00pm (B) 3:00pm
(C) 4:00pm (D) 1:30pm ✓
72. Round 5:25pm to the nearest hour
(A) 4:00pm (B) 6:00pm
(C) 5:00pm (D) 5:30pm ✓
73. Round 3:55pm to the nearest hour
(A) 4:00pm (B) 2:00pm
(C) 5:00pm (D) 3:30pm
74. Round 12:53pm to the nearest hour
(A) 15:00pm (B) 13:00pm
(C) 14:00pm (D) 12:30pm
75. Round 9:48pm to the nearest hour
(A) 12:00pm (B) 11:00pm
(C) 10:00pm (D) 9:30pm
76. Round 17:41pm to the nearest hour
(A) 18:00pm (B) 19:00pm
(C) 20:00pm (D) 17:30pm
77. Round 66km to the nearest 10km
(A) 50km (B) 80km
(C) 70km (D) 90km

78. Round 62 to the nearest 10 km
(A) 50km (B) 65km
(C) 60km (D) 70km
79. Round 76 to the nearest 10 km
(A) 50km (B) 80km
(C) 70km (D) 90km
80. Round 94 to the nearest 10 km
(A) 100km (B) 110km
(C) 70km (D) 90km
81. Round 66 to the nearest 10 km
(A) 50km (B) 80km
(C) 70km (D) 90km
82. Round 62 to the nearest 10 km
(A) 50km (B) 60km
(C) 70km (D) 80km
83. Round 762 to the nearest 100 km
(A) 700km (B) 800km
(C) 900km (D) 500km
84. Round 343 to the nearest 100 km
(A) 200km (B) 300km
(C) 400km (D) 500km
85. Round 76km to the nearest 100 km
(A) 100km (B) 300km
(C) 400km (D) 200km
86. Round 86km to the nearest 100 km
(A) 100km (B) 50km
(C) 200km (D) 8600km
87. Round 144km to the nearest 100 km
(A) 100km (B) 200km
(C) 250km (D) 300km

88. "30 days has September, April, June and November
All the rest have 31, except February alone. And that
has 28 days clear and 29 in each leap year".

What is the combined total of days in July and May?

- (A) 60 (B) 62 (C) 61 (D) 63

89. "30 days has September, April, June and November
All the rest have 31, except February alone
And that has 28 days clear and 29 in each leap year".

What is the combined total of days in April and
September?

- (A) 61 (B) 62 (C) 60 (D) 64

90. "30 days has September, April, June and November
All the rest have 31, except February alone. And that
has 28 days clear and 29 in each leap year".

What is the combined total of days in December and
July?

- (A) 61 (B) 64 (C) 63 (D) 62

91. $(6 \times 4) + ? = 29$

- (A) 3 (B) 4 (C) 5 (D) 6 ✓

92. $(12 \times 5) + ? = 79$

- (A) 9 (B) 19 (C) 29 (D) 39

93. $(15 \times 4) + ? = 99$

- (A) 19 (B) 49 (C) 39 (D) 29

94. $(16 \times 3) + ? = 89$

- (A) 41 (B) 51 (C) 31 (D) 61

95. $(12 \times 6) + ? = 99$

- (A) 47 (B) 17 (C) 27 (D) 37

96. $(16 \times 4) + ? = 88$

- (A) 44 (B) 14 (C) 34 (D) 24

97. I buy 2 boxes of chocolates at € 5.50 each. What was my change from €20
(A) €11 (B) €9 (C) €7 (D) €8
98. I buy 4 boxes of chocolates at € 5.50 each. What was my change from €30?
(A) €8 (B) €9 (C) €6 (D) €7
99. A bottle contains 2 litres of coke. A full glass holds $\frac{1}{3}$ of a litre. How many full glasses can be filled from the coke bottle?
(A) 16 (B) 4 (C) 6 (D) 12
100. A bottle contains 1 litre of orange. A full glass holds $\frac{1}{5}$ of a litre. How many full glasses can be filled from the orange bottle?
(A) 10 (B) 4 (C) 6 (D) 5
101. What is 50% of 100?
(A) 100 (B) 50 (C) 40 (D) 25 ✓
102. What is 50% of 200?
(A) 100 (B) 50 (C) 400 (D) 25
103. What is 50% of 16?
(A) 10 (B) 8 (C) 80 (D) 16
104. What is 50% of 20?
(A) 100 (B) 50 (C) 10 (D) 25
105. What is 100% of 70?
(A) 170 (B) 70 (C) 30 (D) 35
106. What is 25% of 100?
(A) 125 (B) 50 (C) 4 (D) 25
107. What is 25% of 16?
(A) 100 (B) 44 (C) 40 (D) 4
108. What is 25% of 20?
(A) 500 (B) 5 (C) 45 (D) 25 ✓

109. What is 25% of 28?
(A) 280 (B) 77 (C) 70 (D) 7
110. What is 10% of 100?
(A) 100 (B) 110 (C) 10 (D) 25
111. What is 10% of 50?
(A) 5 (B) 50 (C) 40 (D) 1500 ✓

Category 4:

500,000 Point Questions
1,000,000 Point Questions

1. $131 + ? = 300$
(A) 159 (B) 169 (C) 179 (D) 189
2. $171 + ? = 300$
(A) 159 (B) 129 (C) 139 (D) 149
3. $182 + ? = 250$
(A) 68 (B) 78 (C) 88 (D) 98
4. $151 + ? = 350$
(A) 169 (B) 179 (C) 199 (D) 189 ✓
5. $201 + ? = 370$
(A) 159 (B) 189 (C) 169 (D) 179 ✓
6. $815 + ? = 960$
(A) 175 (B) 145 (C) 155 (D) 165 ✓
7. $416 + ? = 800$
(A) 454 (B) 364 (C) 384 (D) 394 ✓
8. $385 + ? = 700$
(A) 335 (B) 315 (C) 325 (D) 305
9. $438 + ? = 850$
(A) 432 (B) 402 (C) 412 (D) 422
10. $827 + ? = 900$
(A) 73 (B) 83 (C) 93 (D) 103
11. $416 + ? = 900$
(A) 474 (B) 464 (C) 484 (D) 494
12. What is $13 + 27 + 6$?
(A) 66 (B) 56 (C) 46 (D) 36

13. What is $28 + 24 + 5$?
(A) 37 (B) 47 (C) 57 (D) 67
14. What is $29 + 27 + 5$?
(A) 61 (B) 51 (C) 41 (D) 71
15. What is $32 + 24 + 3$?
(A) 79 (B) 59 (C) 69 (D) 49
16. What is $18 + 24 + 4$?
(A) 66 (B) 56 (C) 46 (D) 36
17. What is $27 + 26 + 5$?
(A) 48 (B) 58 (C) 68 (D) 78
18. What is $22 + 34 + 2$?
(A) 88 (B) 58 (C) 68 (D) 78 ✓
19. What is $24 + 33 + 6$?
(A) 43 (B) 53 (C) 73 (D) 63 ✓
20. What is $18 + 24 + 9$?
(A) 81 (B) 71 (C) 61 (D) 51 ✓
21. What is $17 + 16 + 4$?
(A) 37 (B) 47 (C) 57 (D) 67 ✓
22. What is $25 + 27 + 8$?
(A) 80 (B) 40 (C) 60 (D) 70
23. What is $19 + 26 + 9$?
(A) 64 (B) 54 (C) 44 (D) 34
24. If today is Wednesday the 12th, what day was the 7th?
(A) Friday (B) Saturday
(C) Sunday (D) Thursday
25. If today is Saturday the 18th, what day was the 7th?
(A) Friday (B) Saturday
(C) Sunday (D) Tuesday

26. If today is Sunday the 18th, what day was the 9th?
 (A) Friday (B) Saturday
 (C) Sunday (D) Thursday
27. If today is Monday the 18th, what day will the 27th be?
 (A) Friday (B) Saturday
 (C) Wednesday (D) Thursday
28. If today is Tuesday the 12th, what day will the 29th be?
 (A) Friday (B) Saturday
 (C) Sunday (D) Thursday
29. $\frac{3}{2}$ is the same as:
 (A) 2·5 (B) 1·5 (C) 2·3 (D) 3·2
30. $\frac{5}{4}$ is the same as:
 (A) 1·25 (B) 1·35 (C) 1·55 (D) 1·54 ✓
31. $\frac{3}{5}$ is the same as:
 (A) ·7 (B) ·6 (C) ·8 (D) 3·5 ✓
32. $\frac{7}{10}$ is the same as:
 (A) ·7 (B) ·8 (C) ·710 (D) ·107 ✓
33. $\frac{9}{5}$ is the same as:
 (A) 9·5 (B) 1·8 (C) 1·4 (D) 5·9 ✓
34. $\frac{7}{8}$ is the same as:
 (A) ·75 (B) ·87 (C) ·78 (D) ·875
35. $\frac{3}{2}$ is the same as:
 (A) 250% (B) 132% (C) 123% (D) 150%
36. $\frac{5}{4}$ is the same as:
 (A) 125% (B) 120% (C) 130% (D) 150%
37. $\frac{3}{5}$ is the same as:
 (A) 50% (B) 60% (C) 135% (D) 70%
38. $\frac{7}{10}$ is the same as:
 (A) 710% (B) 75% (C) 70% (D) 140%

39. $\frac{9}{5}$ is the same as:
(A) 295% (B) 180% (C) 170% (D) 150%
40. $\frac{4}{8}$ is the same as:
(A) 0.25 (B) 0.5 (C) 0.48 (D) 0.55
41. $\frac{3}{2}$ is the same as:
(A) 1.25 (B) 1.5 (C) 0.5 (D) 0.6
42. $\frac{7}{8}$ is the same as:
(A) 87.5% (B) 87% (C) 78% (D) 0.5%
43. How many sides in a pentagon?
(A) 4 (B) 5 (C) 4 (D) 6
44. How many sides in an octagon?
(A) 3 (B) 6 (C) 8 (D) 12 ✓
45. What is the nearest whole number to 5.7?
(A) 7.5 (B) 5.8 (C) 6 (D) 5
46. What is the nearest whole number to 52.6?
(A) 52.6 (B) 52.7 (C) 52 (D) 53
47. What is the nearest whole number to 11.4?
(A) 11 (B) 12 (C) 11.5 (D) 114
48. What is the nearest whole number to 9.9?
(A) 99 (B) 9.8 (C) 10 (D) 11
49. Round 654 to the nearest 100
(A) 650 (B) 700 (C) 600 (D) 500
50. Round 562 to the nearest 100
(A) 550 (B) 700 (C) 600 (D) 500 ✓
51. Round 762 to the nearest 100
(A) 760 (B) 800 (C) 600 (D) 700 ✓
52. Round 943 to the nearest 100
(A) 950 (B) 1000 (C) 800 (D) 900 ✓

53. "30 days has September, April, June and November
All the rest have 31, except February alone. And that
has 28 days clear and 29 in each leap year".

What is the combined total of days in *July, August* and
May?

- (A) 92 (B) 90 (C) 92 (D) 93 ✓

54. "30 days has September, April, June and November
All the rest have 31, except February alone. And that
has 28 days clear and 29 in each leap year".

What is the combined total of days in *December,*
October and *May*?

- (A) 92 (B) 90 (C) 92 (D) 93

55. "30 days has September, April, June and November
All the rest have 31, except February alone. And that
has 28 days clear and 29 in each leap year".

What is the combined total of days in *January, July* and
August?

- (A) 92 (B) 90 (C) 92 (D) 93

56. "30 days has September, April, June and November
All the rest have 31, except February alone. And that
has 28 days clear and 29 in each leap year".

What is the combined total of days in *July, November*
and leap year *February*?

- (A) 92 (B) 90 (C) 92 (D) 93

57. Which number will divide equally by 12 (with no
remainder)?

- (A) 42 (B) 36 (C) 37 (D) 38

58. Which number will divide equally by 11 (with no
remainder)?

- (A) 33 (B) 36 (C) 37 (D) 36

59. Which number will divide equally by 13 (with no
remainder)?

- (A) 39 (B) 49 (C) 37 (D) 36

60. The product of 7 and 12 is
 (A) $7/12$ (B) 84 (C) 19 (D) 5
61. The product of 9 and 12 is
 (A) $9/12$ (B) 3 (C) 108 (D) 21
62. The product of 10 and 12 is
 (A) 22 (B) $10/12$ (C) 2 (D) 120
63. The product of 11 and 12 is
 (A) 1 (B) $11/12$ (C) 132 (D) 23
64. The product of 12 and 12 is
 (A) $12/24$ (B) $12/12$ (C) 24 (D) 144
65. The value of π (pi) is:
 (A) $2/3$ (B) $1/7$ (C) $22/7$ (D) $7/22$
66. What is the missing number in the sequence?
 $0\cdot2$ $0\cdot4$? $0\cdot8$
 (A) $0\cdot6$ (B) $0\cdot5$ (C) $0\cdot7$ (D) $0\cdot10$
67. What is the missing number in the sequence?
 $2\cdot3$ $2\cdot1$? $1\cdot7$
 (A) $1\cdot8$ (B) $1\cdot9$ (C) $1\cdot7$ (D) $2\cdot0$
68. What is the missing number in the sequence?
 -3 -5 ? -9
 (A) -7 (B) -6 (C) -8 (D) -8.5
69. What is the missing number in the sequence?
 -5 -7 ? -11
 (A) -10 (B) -9 (C) -8 (D) -10.5
70. Round $2\cdot43$ to 1 decimal place:
 (A) $2\cdot4$ (B) $2\cdot5$ (C) $2\cdot3$ (D) $2\cdot44$
71. Round $2\cdot27$ to 1 decimal place:
 (A) $2\cdot3$ (B) $2\cdot2$ (C) $2\cdot28$ (D) 2
72. Round $27\cdot71$ to 1 decimal place:
 (A) $27\cdot72$ (B) $27\cdot7$ (C) $27\cdot8$ (D) 28

73. Round 21.57 to 1 decimal place:
(A) 21.58 (B) 21.59 (C) 21.5 (D) 21.6
74. Which of these numbers is a square number?
(A) 21 (B) 36 (C) 41 (D) 88
75. Which of these numbers is a square number?
(A) 15 (B) 17 (C) 36 (D) 12
76. Which of these numbers is a square number?
(A) 11 (B) 32 (C) 64 (D) 19
77. $36 = 2 \times 2 \times ?$
(A) 7 (B) 6 (C) 9 (D) 8
78. $80 = 2 \times 10 \times ?$
(A) 4 (B) 6 (C) 5 (D) 8 ✓
79. $42 = 2 \times 3 \times ?$
(A) 7 (B) 6 (C) 9 (D) 8 ✓
80. $48 = 2 \times 2 \times ?$
(A) 79 (B) 6 (C) 12 (D) 11 ✓
81. $32 = 2 \times 2 \times ?$
(A) 7 (B) 6 (C) 9 (D) 8 ✓
82. $24 = 3 \times 2 \times ?$
(A) 4 (B) 6 (C) 5 (D) 8
83. $24 = 4 \times 2 \times ?$
(A) 4 (B) 6 (C) 2 (D) 3
84. $(3 + 2) \times ? = 10$
(A) 1 (B) 2 (C) 3 (D) 4
85. $(2 + 2) \times ? = 16$
(A) 2 (B) 3 (C) 4 (D) 5
86. $(4 + 2) \times ? = 18$
(A) 3 (B) 6 (C) 2 (D) 8

87. $(3 + 3) x? = 18$
(A) 1 (B) 3 (C) 4 (D) 2
88. $(3 + 5) x? = 24$
(A) 4 (B) 3 (C) 2 (D) 5
89. $2x = 16$. What is x ?
(A) 14 (B) 8 (C) 4 (D) 18
90. $2x = 18$. What is x ?
(A) 9 (B) 20 (C) 16 (D) 36
91. $2x = 14$. What is x ?
(A) 16 (B) 12 (C) 28 (D) 7
92. $3x = 21$. What is x ?
(A) 24 (B) 7 (C) 18 (D) 63
93. $3x = 24$. What is x ?
(A) 21 (B) 27 (C) 8 (D) 72
94. $4x = 16$. What is x ?
(A) 64 (B) 20 (C) 12 (D) 4
95. $5x = 25$. What is x ?
(A) 20 (B) 30 (C) 5 (D) 125
96. How many millimetres in a centimetre?
(A) 1 (B) 10 (C) 100 (D) 1000 ✓
97. How many millimetres in a metre?
(A) 1 (B) 10 (C) 100 (D) 1000 ✓
98. How many centimetres in a metre?
(A) 1 (B) 10 (C) 100 (D) 1000 ✓